

Heavy Round Washer

Material: Mild Steel

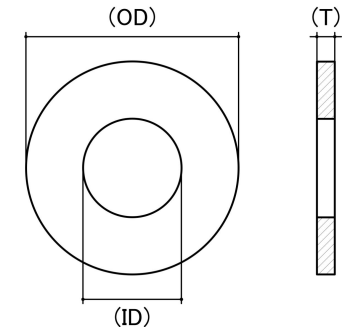
Class Grade: Low Tensile Class 4.6

Corrosion Protection Level: Moderate

Finish: Zinc Plated

Standard: HEC Standard

System Of Measurement: Metric



*CAD drawings shown for graphic representation only.**

Industry Size	Inside Dimension (ID) (mm)		Outside Dimension (OD) (mm)	Thickness (T) (mm)	sku (qfind)
	Min	Max	Nom	Nom	
M6 x 16 x 1.4	6.40	7.10	16.00	1.40	71H616
M8 x 19 x 1.6	8.60	9.30	19.00	1.60	71H819
M10 x 22.5 x 2	10.50	11.50	22.50	2.00	71H10225
M12 x 27.5 x 2.25	13.00	14.00	27.50	2.25	71H12275
M16 x 33.5 x 2.75	17.00	17.60	33.50	2.75	71H16335
M20 x 38 x 3	20.90	22.50	38.00	3.00	71H2038
M24 x 52 x 4	25.00	27.00	52.00	4.00	71H2452
M30 x 58 x 4	33.00	35.00	58.00	4.00	71H3058

Disclaimer:

Dimensional data and technical information was obtained from publically available sources and not acquired through standard agencies. It has been completed and compiled for reference purposes only; where discrepancies are found they are subject to change without notice. Bolt & Nut Australia makes no warranties or representations regarding the accuracy and validity of the compiled information and data. Contact the relevant standard authorities for accurate and detailed information.

* CAD drawings may not reflect diameter, thread length or overall length.

© Bolt & Nut Australia Pty Ltd. All rights reserved.

Version: 18 Mar 2024